

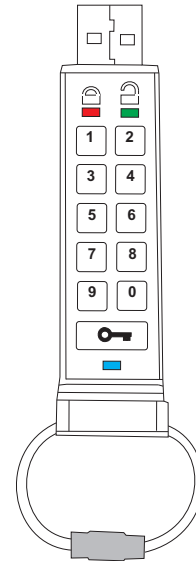
Apricorn Aegis Secure Key

Quick Start Guide








Introduction

Thank you for purchasing the Apricorn Aegis Secure Key. The Aegis Secure Key works by simply entering your desired 7-15 digit PIN directly onto the onboard keypad. The Aegis Secure Key can then be connected to any USB port on any computer. Should the drive be lost or stolen, the user can rest assured that all data held on the Aegis Secure Key is safe and cannot be accessed by any unauthorized third party.

The full manual is located on the Aegis Secure Key. We recommend that you unlock the Key and download the manual first before making any changes. The manual can also be found at <http://www.apricorn.com/>, then select Aegis Secure key.















Unlocking the Key

1. Press the Key button 	 will blink together
2. Within 10 seconds enter the User PIN (Factory default PIN: 1-1-2-2-3-3-4-4)	 will blink for a correct PIN entry  will blink for an incorrect PIN entry
3. Press the Key button 	 will be on  will be on or blink for activity
4. Connect the Aegis Secure Key to a USB port within 30 seconds	
5. To lock the Aegis Secure Key, Unplug it from the USB port.	

Even though the Aegis Secure Key can be used straight out of the box with the default PIN 1-1-2-2-3-3-4-4, we highly recommend that a new User PIN is configured immediately by following instructions below, for security reasons.

Changing your PIN code












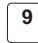




1. Press the Key button 	 will blink together
2. Within 10 seconds enter the User PIN and press the Key button  (Factory default PIN: 1-1-2-2-3-3-4-4)	 will blink for a correct PIN entry  will blink for an incorrect PIN entry
3. Press and hold the Key button for 3 seconds 	 will be on solid
4. Enter a new PIN number And press the Key button 	 will blink together
6. Re-enter the new PIN number and press the Key button 	 will blink if the new PIN is accepted and The Key is unlocked & ready to use  will blink alternately if the new PIN was not accepted

Quick Start Guide (continued)

Resetting your Aegis Secure Key













In case the User PIN has been forgotten, or if you would like to delete all data stored on the Key and configure a new User PIN, follow the instructions below. The reset process will clear all PINs and encryption keys and destroy all data. This means a new User PIN will have to be defined in order to re-enable the Key. Also, since this will force the creation of a new encryption key, the Aegis Secure Key will have to be reformatted.

Note: By resetting the Aegis Secure Key, all data previously stored on the drive will be lost!

1. Press the Key button		  will blink together
2. Press the Key button		 will blink
3. Press and hold the Key button and the number 2 button for 3 seconds	 	  will blink together
4. Enter 9 - 9 - 9 and press the Key Button	   	LEDs will turn off
5. Press the Key button		 will be on solid
Note: When the  is on and solid, a new user PIN will need to be set prior to use.		

Setup new PIN after resetting Aegis Secure Key

Once the drive is reset either by the method above or if the drive was locked by a brute force attack (10 unsuccessful attempts to unlock the Aegis Secure Key), a new user PIN will need to be defined.

1. Press the Key button for 3 seconds		  will be on
2. Within 10 seconds enter the new PIN See the note below about acceptable PIN's		  will be on
3. Press the Key button to save		  will blink together if accepted
4. Re-enter the new PIN number & press the Key button		 will blink if the new PIN is accepted and the Key is unlocked & ready to use
5. If the new PIN was accepted, the Green LED will be flashing. The key will be unlocked and be ready to format.		  will blink alternately if the new PIN was not accepted
Note: PIN's must be between 7-15 digits in length & should not contain repeating numbers e.g. 3-3-3-3-3-3, and also should not contain sequential numbers e.g. (1-2-3-4-5-6-7), (7-8-9-0-1-2-3-4-5-6), (7-6-5-4-3-2-1)		



Apricorn, Inc 2011.
All rights reserved
12191 Kirkham Rd
Poway, CA, U.S.A 92064

Technical Support

Apricorn provides the following helpful resources for you:

1. Apricorn's Website (<http://www.apricorn.com>)
This gives you the ability to check for up-to-date information.
2. E-mail us at support@apricorn.com
3. Or call the Technical Support Department at 1-800-458-5448.

Apricorn's Technical Support Specialists are available from 8:00 a.m. to 5:00 p.m., Pacific Standard Time, Monday through Friday.