

Velocity Solo

Desktop SSD Upgrade Kit

Compatible with 2.5" SATA III SSD (& HDD)

Backwards compatible with SATA II SSDs

Uses a single PCIe 2.0 x1 slot

Auxiliary SATA III port for additional expansion

Ideal for use as a boot disk or scratch disk

Includes Apricorn's EZ Gig Cloning Software with Data Select

Supports Win XP, Vista, 7



Data transfer speeds up to **500** MB / sec

Looking to take your desktop computer to the next level?

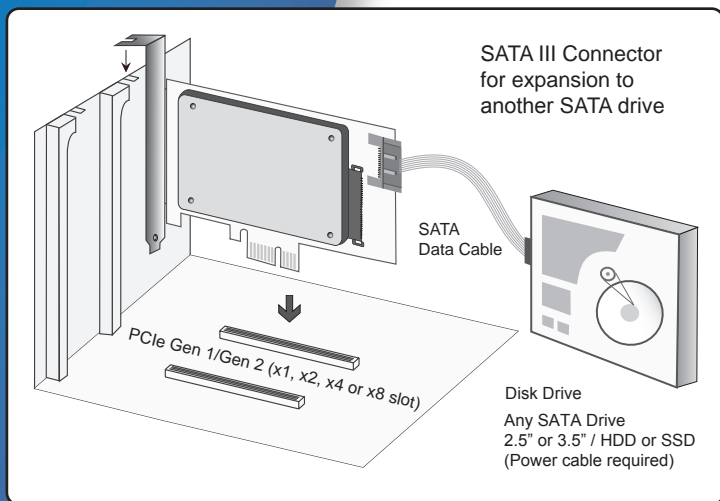
The Velocity Solo is the easiest way to add the speed of Solid State and SATA III to your desktop

Upgrade your system to latest SATA III interface (6Gbs) and add a high speed SSD to boost the performance to the max. Easy to install, the Velocity Solo is an industry standard PCIe 2.0 card designed to add a 2.5" Solid State Drive (SSD) via a super fast SATA III connection. At 6Gbs, SATA III is twice as fast as SATA II and takes full advantage of the latest SSD. The Solo also provides an additional SATA III data connection that can be used to connect to another SSD or HDD to provide unparalleled capacity and performance. The Solo is bundled with Apricorn's EZ Gig Cloning software with Data Select. Data Select provides

a simple method to deselect data folders from the cloning process which is helpful when migrating from a large HDD to a smaller SSD and perfect for creating a Boot Disk. This gives you the option to run your OS and applications from a fast, smaller SSD boot drive, while keeping your documents and media files on your original hard drive.

Simple to Install

The Velocity Solo takes just minutes to install. Simply connect your Solid State Drive to the Velocity Solo SATA III connector and slide into an available PCIe slot in your desktop. Once installed, download and run Apricorn's EZ Gig cloning software and your upgrade is complete. For additional capacity use the auxiliary SATA III connector for a superfast connection to an additional hard drive or solid state drive.



Visit our web site at www.apricorn.com or call 1-800-458-5448

©2011 Apricorn, Inc. Corporate Offices: 12191 Kirkham Rd., Poway, CA. 92064 (updated 5/11)

Velocity Solo

Connecting your SSD to the Velocity Solo Card

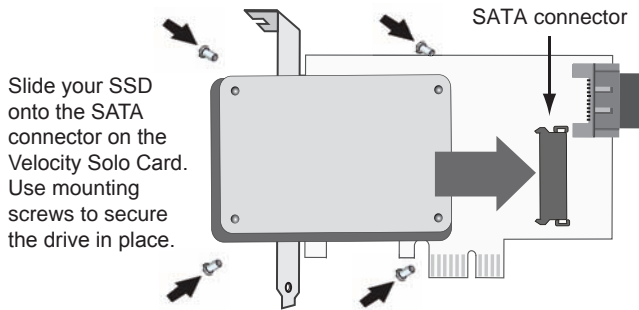
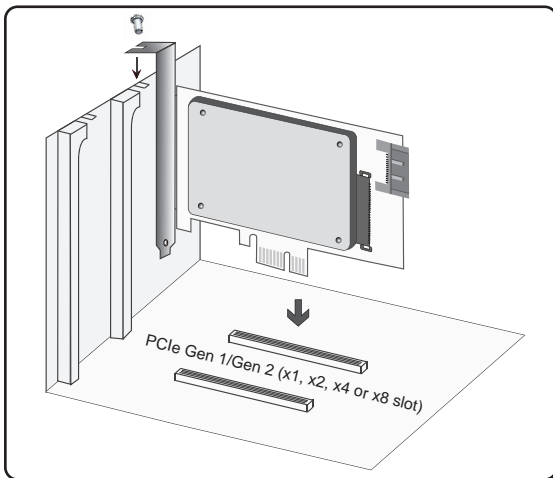
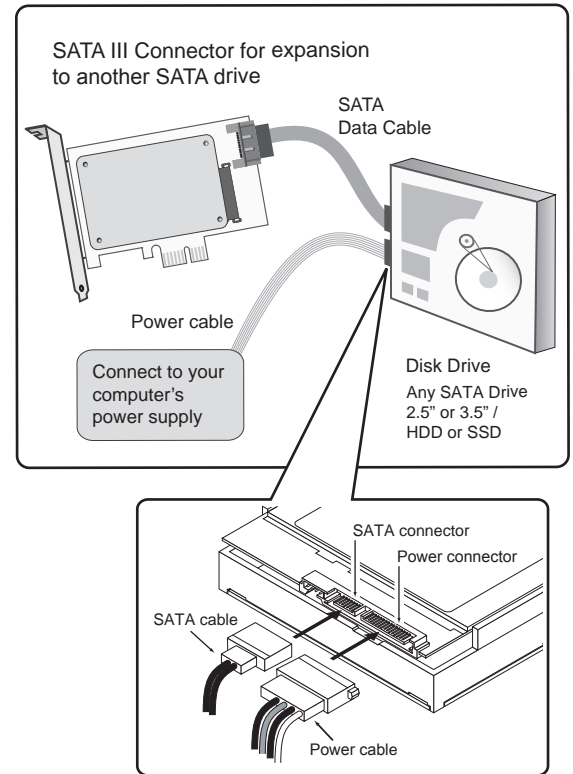


Figure 1. Installing the Velocity Solo on PCIe Gen 1 / Gen 2 slot



Optional - Connecting an additional drive to the Velocity Solo SATA III connector

Figure 2. Connecting the Velocity Solo to a HDD or SSD



Features
Compatible with 2.5" SATA III SSD (& HDD)
Uses a single PCIe 2.0 x1 slot (Also compatible with PCIe 1.0)
Auxiliary SATA III port for additional expansion
Backwards compatible with SATA II and SATA I SSDs
Ideal for use as a boot disk or scratch disk
Includes Apricorn's EZ Gig Cloning Software with Data Select
TRIM Compatible and can access capacities in excess of 2.2TB (if the Operating System supports TRIM)
PC: Supports Win XP, Vista, 7
Target applications: <ul style="list-style-type: none"> • Scratch Disks for Design Applications • High resolution image editing and manipulation • Photo editing and retouching • Video editing and post processing • Gaming

Specifications	
Box Contents	Velocity Solo Quick Start Manual
Data Transfer Rates	SATA III speeds up to 6Gb/s
Interface	SATA III (SATA II backwards compatible)
Dimensions	5.25 x 4.75 x 0.67 in 13.2 x 11.9 x 17 mm
Warranty	1 year limited / 30 day money back guarantee
System Requirements	Desktop system with PCIe 2.0 X1 slot (PCIe 1.0 X1 slot)
Options Available	
	May be bundled with an SSD
Ordering info	
Ordering Information	Apricorn Part Number: VEL-SOLO

*One gigabyte (GB) = one billion bytes; accessible capacity will be less and actual capacity depends on the operating environment and formatting.

For more information on **Apricorn's Velocity Solo** and other innovative Apricorn products visit our web site at www.apricorn.com or call 1-800-458-5448
©2011 Apricorn, Inc. Corporate Offices: 12191 Kirkham Rd., Poway, CA. 92064

