

# Velocity Solo x1

## Desktop SSD Upgrade Kit

Works with PCIe 2.0 x1 slot (or larger)

Add the Speed of SATA III to your desktop via your computer's PCIe 2.0 slot

Compatible with 2.5" SATA III SSD & HDD (Backwards compatible with SATA II)

Uses a single PCIe 2.0 x1 slot (or larger)

Auxiliary SATA III port for additional expansion

Ideal for use as a boot disk or scratch disk

Simple to install - Clone your hard drive to your new SSD using Apricorn's EZ Gig Cloning Software for Windows or Apple's Disk Utility for Mac

**NOTE:** Actual speeds dependent on individual system and SSD performance.

Solid State Drive sold separately



Auxiliary **SATA III**

Connector for Expansion



Data Transfer Speeds up to **400** MB / sec\*

x1 PCIe 2.0 Ultra-fast Connection

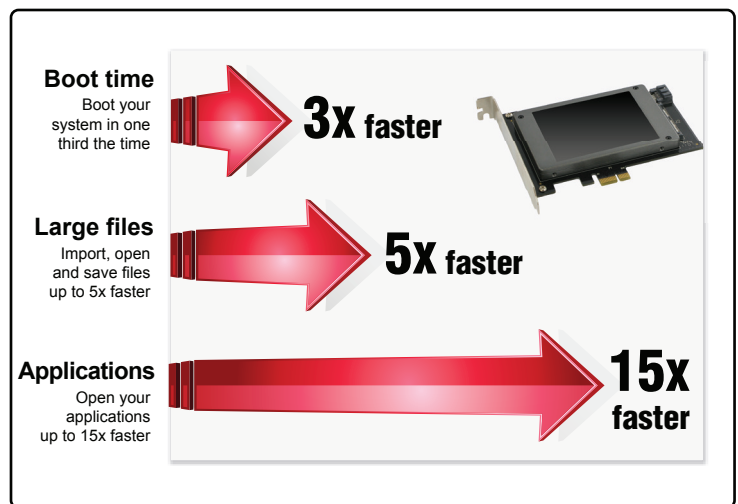
## Accelerate your Desktop - Add the Speed of Solid State & SATA III to your Desktop PC or Mac Pro®

With PCIe 2.0 data transfer speeds up to 400 MBs\*, the Velocity Solo x1 enables you to experience the blazing speed of an SSD in your desktop via a super fast SATA III connection.

**Boot in an instant, open applications in a flash and slash save and import times**

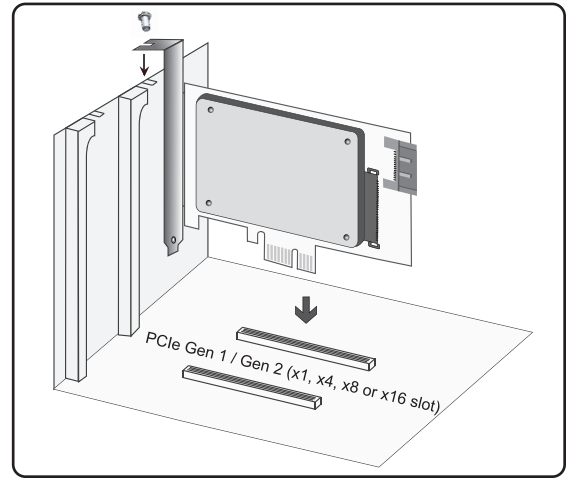
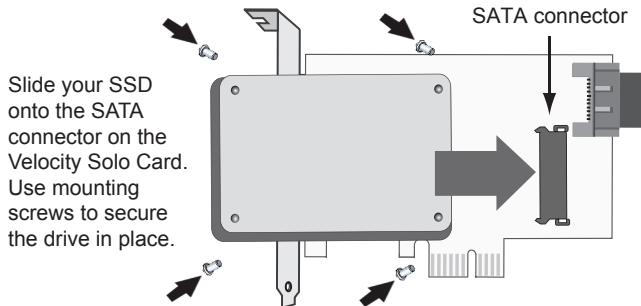
### Simple to Install

The Velocity Solo x1 takes just minutes to install. Simply connect your Solid State Drive to the Velocity Solo and slide the card into an available PCIe x1 slot (or larger) in your desktop. Once installed, transfer your OS and applications from your desktop hard drive to your new SSD using Apricorn's EZ Gig cloning software with Data Select for PC systems, or for the Mac Pro use Apple's built-in Disk Utility. For additional capacity, use the additional SATA III data connection to connect to another SSD or hard drive.



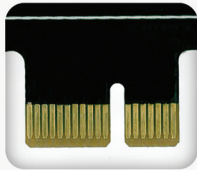
# Velocity Solo x1

## Connecting your SSD to the Velocity Solo Card



## Installing the Velocity Solo in your desktop computer




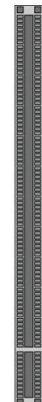
**Velocity Solo x1**



**Data Transfer Speed**  
Up to 400 MB/sec

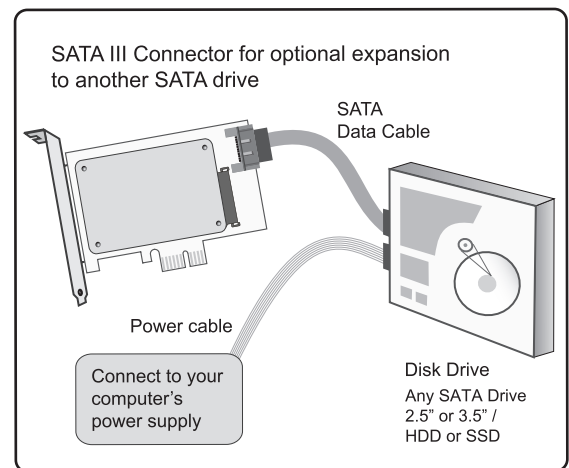
**Compatible with**  
PCIe 2.0 x1 slot (or larger)

**Compatible with all PCIe 2.0 Slots**

**x1 x4 x8 x16**

\*Actual data speeds dependent on individual system and SSD performance



## Optional - Connect an additional drive to the Velocity Solo via SATA III connector

Features
Add Speed of SATA III to host via PCIe 2.0 slot
Compatible with 2.5" SATA III SSD (& HDD)
Uses a single PCIe 2.0 x1 slot (Also compatible with PCIe 1.0)
Auxiliary SATA III port for additional expansion
Backwards compatible with SATA II and SATA I SSDs
Ideal for use as a boot disk or scratch disk
Includes Apricorn's EZ Gig Cloning Software for Windows Mac systems use Apples built-in disk utility
TRIM Compatible and can access capacities in excess of 2.2TB (if the Operating System supports TRIM)
Target applications: <ul style="list-style-type: none"> <li>Boot Disk</li> <li>Scratch Disks for Design Applications</li> <li>High resolution image editing and manipulation</li> <li>Photo editing and retouching</li> <li>Video editing and post processing</li> <li>Gaming</li> </ul>

Specifications	
Box Contents	Velocity Solo Quick Start Manual Screws
Data Transfer Rates	Up to 400 MBs*
Interface	SATA III (SATA II backwards compatible)
Dimensions	5.25 x 4.75 x 0.67 in 13.2 x 11.9 x 17 mm
Warranty	3 year limited
System Requirements	Desktop system with PCIe 2.0 X1 slot (PCIe 1.0 X1 slot)
Supported OS	PC: Supports Win XP, Vista, 7, 8 Mac: OS X 10.4 or later
Ordering info	
Ordering Information	<b>Apricorn Part Number: VEL-SOLO-X1</b>

\*Actual speeds dependent on individual system and SSD performance.

For more information on **Apricorn's Velocity Solo** and other innovative Apricorn products visit our web site at [www.apricorn.com](http://www.apricorn.com) or call 1-800-458-5448  
©2012 Apricorn, Inc. Corporate Offices: 12191 Kirkham Rd., Poway, CA. 92064

